

INSTALLATION GUIDE

Everything you wanted to know but were too afraid to ask

abaco

play around

ABACO SUSPENDED (RECESSED CANOPY)



WHOA, HOLD IT!

- 1 Hit the off switch on any power before install.
- 2 Install must only be carried out by someone suitably qualified.
- 3 Only use the product at the specified voltage and frequency.
- 4 There is no four. It would be sweet though if you ♻️ the packaging.



IP20

RoHS

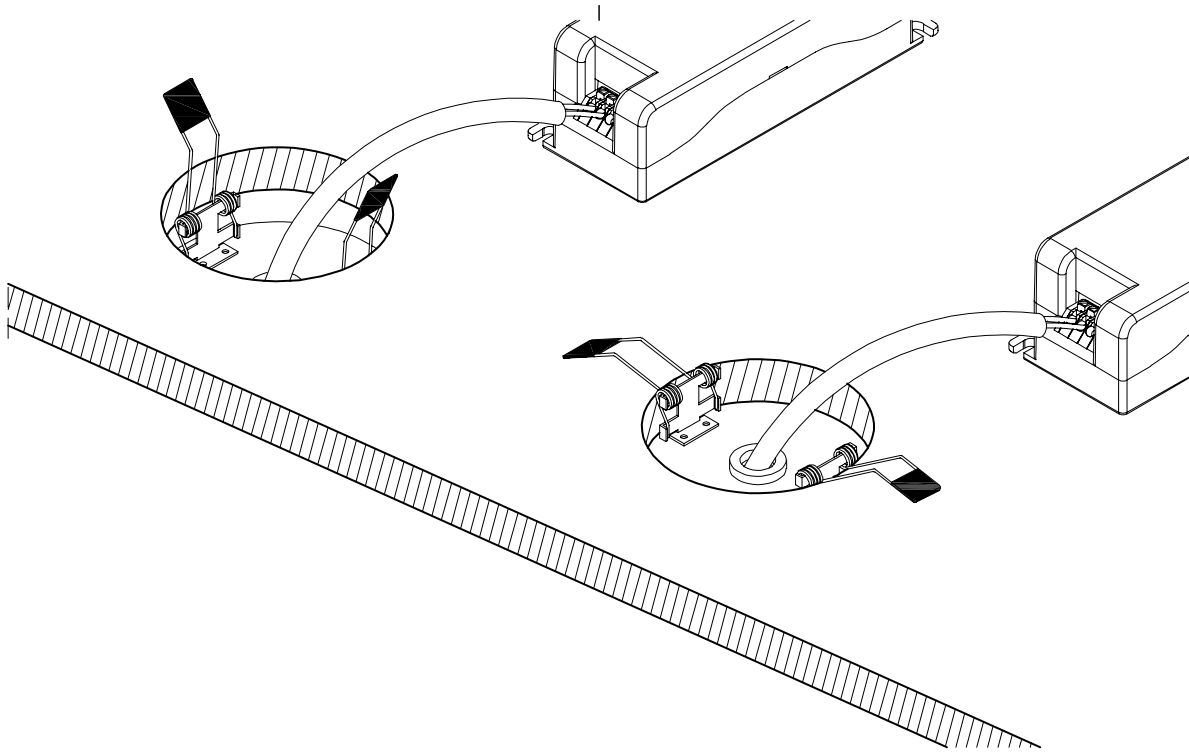


1

Make a hole, $\varnothing 90\text{mm}$ in the ceiling.

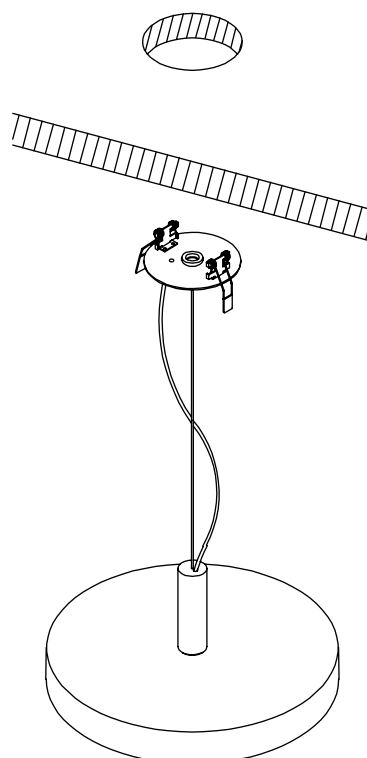
2

Connect the power (220-240V) wire to the driver and place it in the ceiling.



3

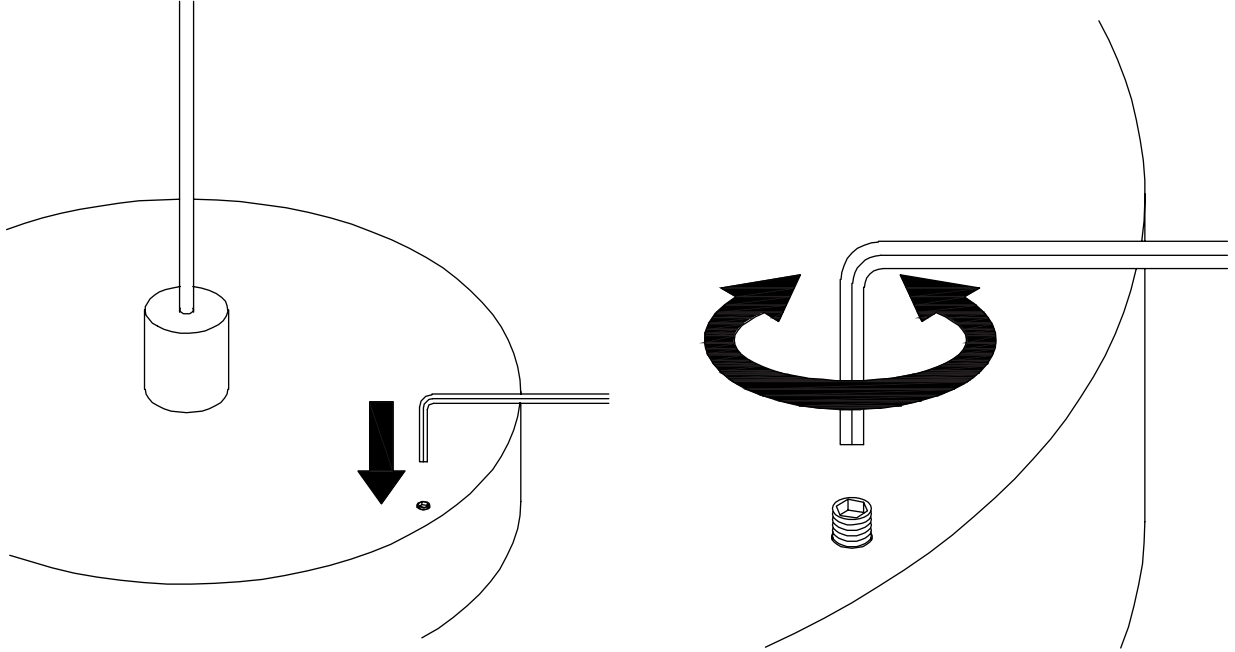
Push the housing into the hole by compressing the spring clips, just like that. Release the spring clips once the fitting fits into the hole and adjust to the required angle, and that's that.



ACRYLIC DIFFUSER REPLACEMENT

1

Remove set screw with wrench bolt.



2

Push the wrench to separate the acrylic diffuser.

