

ROYAL STACKS MORRIS MOOR



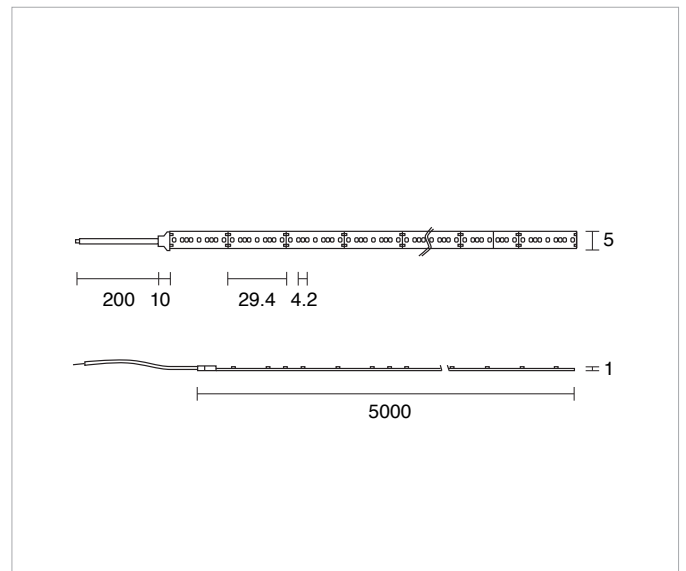
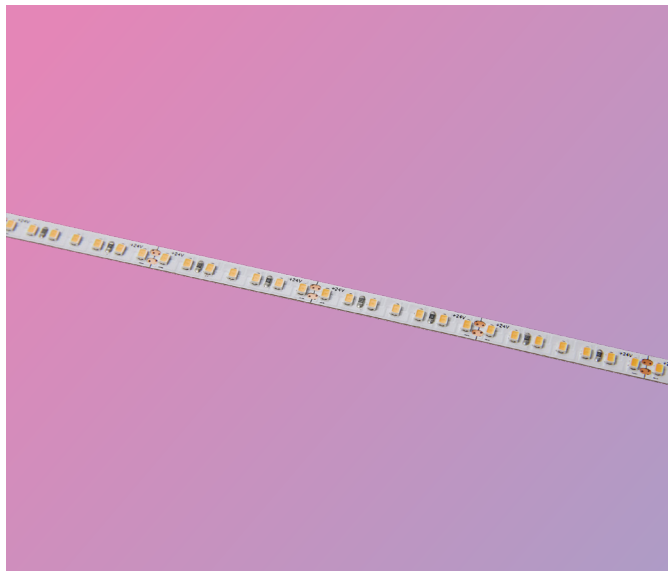
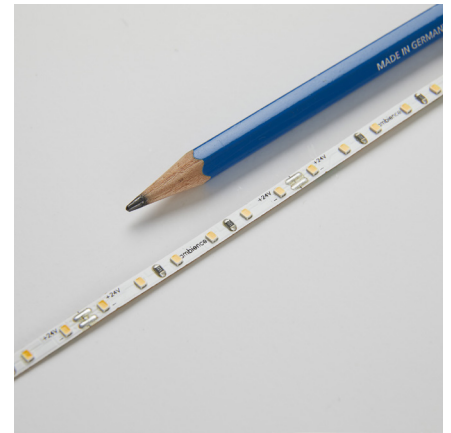
LED STRIP

BOOST

# BOOST MINI

BOOST MINI FIXED SURFACE MOUNTED

Big things come in mini packages



<b>WIDTH (MM)</b>	5
<b>MINIMUM CUTTABLE LENGTH (MM)</b>	29.41
<b>WATTAGE (WATT/M)</b>	5 / 8
<b>VOLTAGE (V)</b>	24V DC
<b>CCT (°K)</b>	1800K / 2400K / 2700K / 3000K / 3500K / 4000K / 6500K
<b>CRI</b>	90+
<b>NO. OF LED (PER M)</b>	238
<b>EFFICACY (LM/W)</b>	97
<b>LED TYPE</b>	SMD2216
<b>SDCM</b>	3

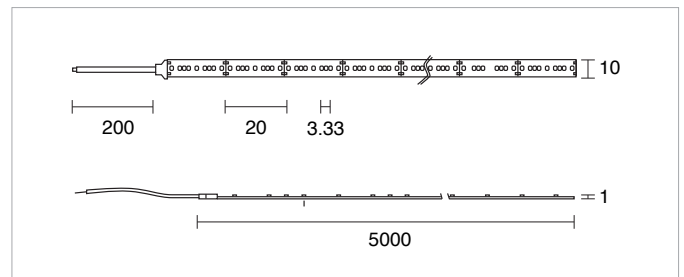
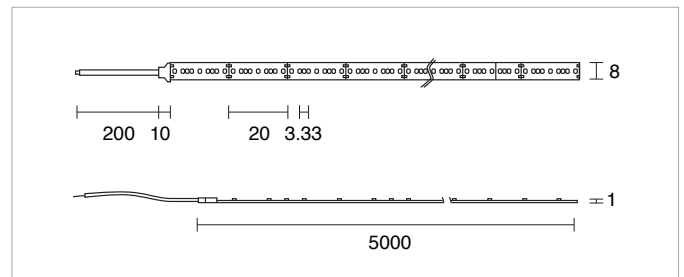
# BOOST

## BOOST FIXED SURFACE MOUNTED

Give your space a lift



R.A.W Studios Travis Walton Architecture  
Indirect/backlighting

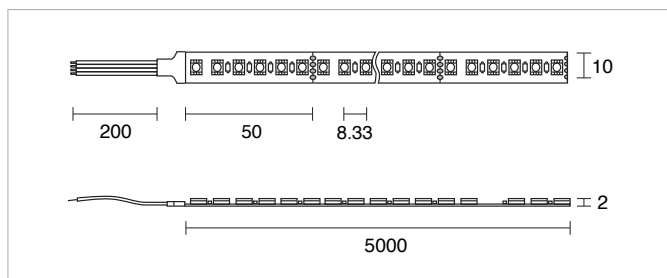
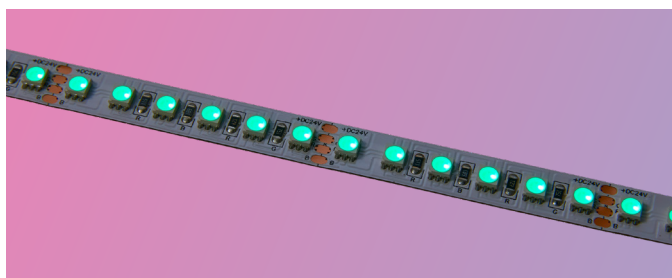
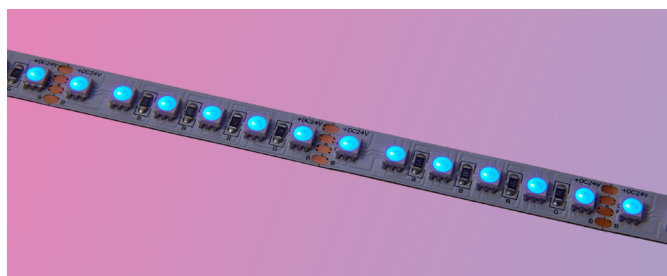
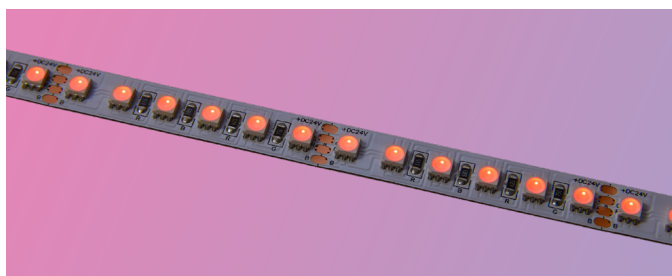
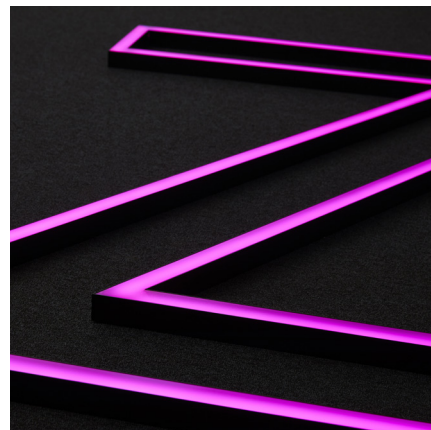


<b>WIDTH (MM)</b>	8 / 10
<b>MINIMUM CUTTABLE LENGTH (MM)</b>	20
<b>WATTAGE (WATT/M)</b>	5 / 10 / 14.5 / 20 / 25
<b>VOLTAGE (V)</b>	24V DC
<b>CCT (°K)</b>	1800K / 2400K / 2700K / 3000K / 3500K / 4000K / 6500K
<b>CRI</b>	90+
<b>NO. OF LED (PER M)</b>	300
<b>EFFICACY (LM/W)</b>	85
<b>LED TYPE</b>	SMD2216
<b>SDCM</b>	3
<b>IP RATINGS</b>	IP20, IP67

# BOOST BOLD

## BOOST RGB FIXED SURFACE MOUNTED

For when you need a little bold on your boost



<b>WIDTH (MM)</b>	10
<b>MINIMUM CUTTABLE LENGTH (MM)</b>	50
<b>WATTAGE (WATT/M)</b>	15 / 22
<b>VOLTAGE (V)</b>	24V DC
<b>CCT (°K)</b>	RGB
<b>CRI</b>	N/A
<b>NO. OF LED (PER M)</b>	120
<b>EFFICACY (LM/W)</b>	40
<b>LED TYPE</b>	SMD4040
<b>SDCM</b>	5
<b>IP RATINGS</b>	IP20 / IP67

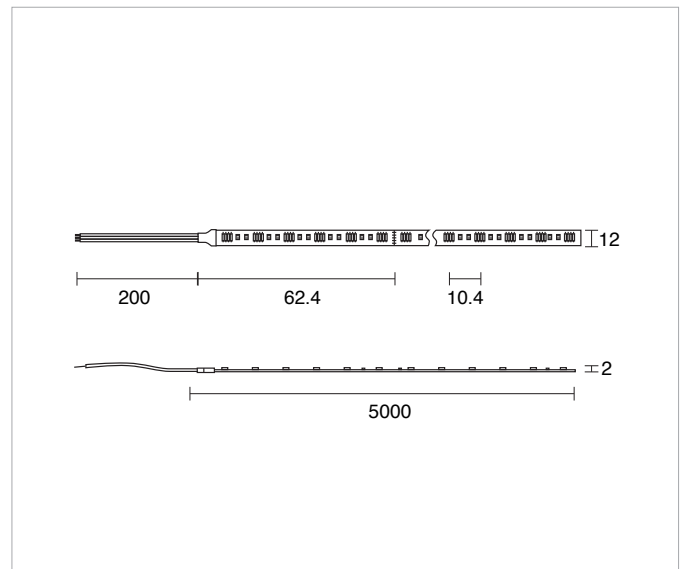
# BOOST PASTEL

BOOST RGBW FIXED SURFACE MOUNTED

Pastel light is impossible you say?



Chromesthesia Symphony Lighting

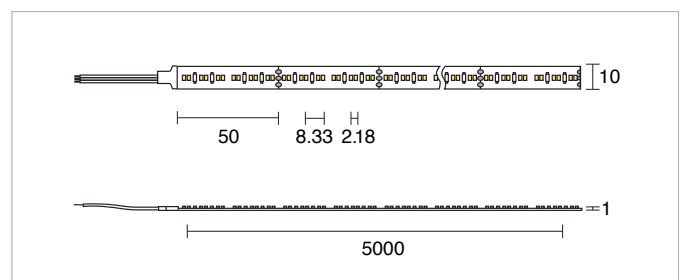
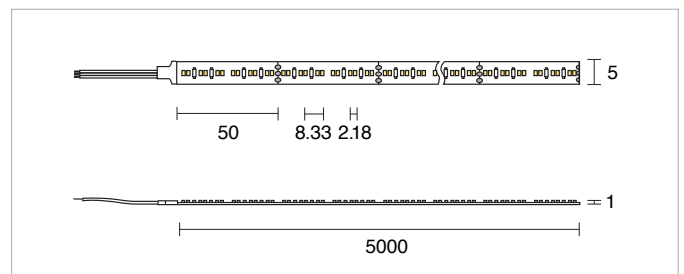


<b>WIDTH (MM)</b>	12
<b>MINIMUM CUTTABLE LENGTH (MM)</b>	62.4
<b>WATTAGE (WATT/M)</b>	15 / 20 / 25
<b>VOLTAGE (V)</b>	24V DC
<b>CCT (°K)</b>	RGB+1600K / RGB+2700K / RGB+3000K / RGB+3500K / RGB+4000K / RGB+5000K / RGB+6500K
<b>CRI</b>	90
<b>NO. OF LED (PER M)</b>	96
<b>EFFICACY (LM/W)</b>	35
<b>LED TYPE</b>	SMD5050
<b>SDCM</b>	5

# BOOST HC

## BOOST TUNABLE WHITE FIXED SURFACE MOUNTED

Just don't say human-centric out loud

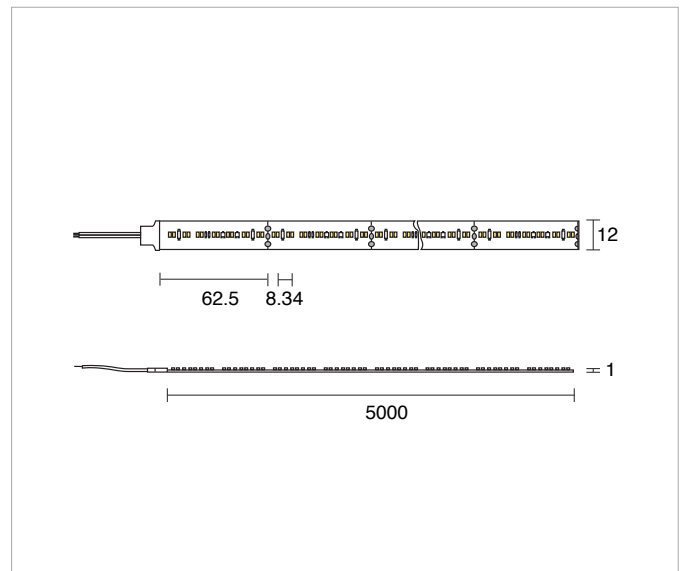


<b>WIDTH (MM)</b>	5 / 10
<b>MINIMUM CUTTABLE LENGTH (MM)</b>	50
<b>WATTAGE (WATT/M)</b>	7.2 / 10 / 14.5 / 20
<b>VOLTAGE (V)</b>	24V DC
<b>CCT (°K)</b>	2700K-6500K / 1800K-3000K
<b>CRI</b>	90
<b>NO. OF LED (PER M)</b>	240
<b>EFFICACY (LM/W)</b>	75
<b>LED TYPE</b>	SMD2216
<b>SDCM</b>	3

# BOOST SUNSET

BOOST DIM TO WARM FIXED SURFACE MOUNTED

It's all in the name

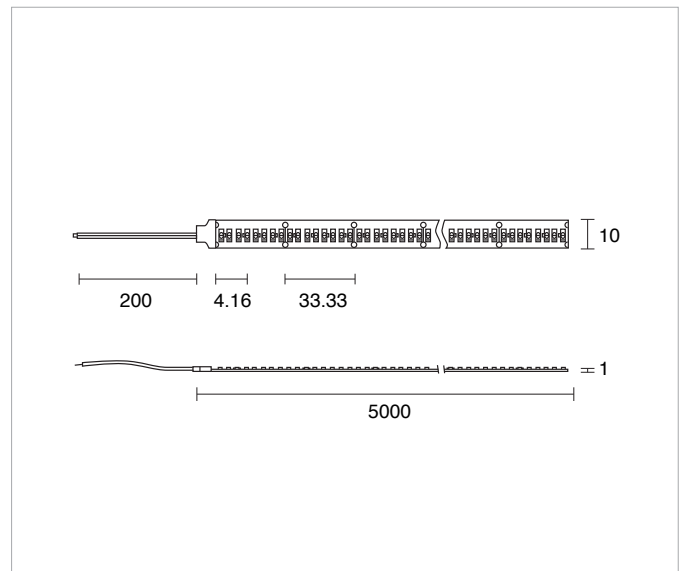


<b>WIDTH (MM)</b>	12
<b>MINIMUM CUTTABLE LENGTH (MM)</b>	65.5
<b>WATTAGE (WATT/M)</b>	10
<b>VOLTAGE (V)</b>	24V DC
<b>CCT (°K)</b>	1800K-3000K
<b>CRI</b>	90
<b>NO. OF LED (PER M)</b>	224
<b>EFFICACY (LM/W)</b>	94
<b>LED TYPE</b>	SMD2216
<b>SDCM</b>	3

# BOOST UW

## BOOST ULTRA WARM FIXED SURFACE MOUNTED

Oh, the UW stands for Ultra Warm



<b>WIDTH (MM)</b>	10
<b>MINIMUM CUTTABLE LENGTH (MM)</b>	33.33
<b>WATTAGE (WATT/M)</b>	10 / 14.5
<b>VOLTAGE (V)</b>	24V DC
<b>CCT (°K)</b>	1600K / 2000K / 2200K
<b>CRI</b>	90
<b>NO. OF LED (PER M)</b>	240
<b>EFFICACY (LM/W)</b>	100
<b>LED TYPE</b>	SMD2835
<b>SDCM</b>	3



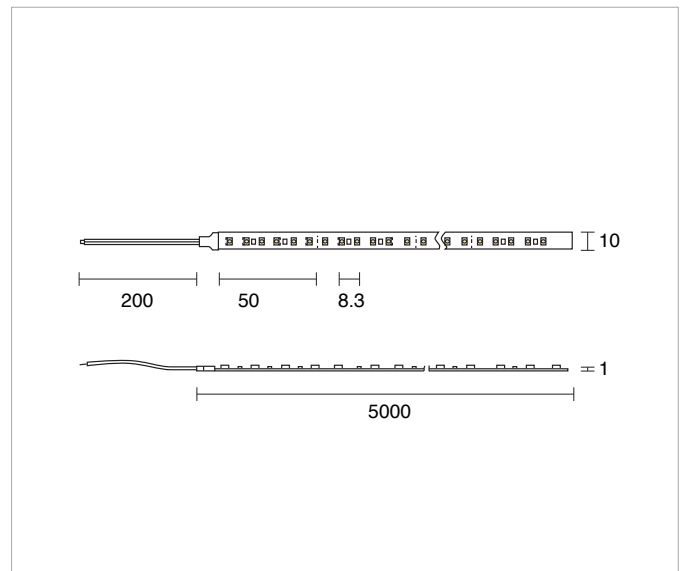
# BOOST COLOUR

## BOOST COLOUR FIXED SURFACE MOUNTED

You'll never guess how we came up with this name



Timezone, Zone Design.  
RGB Colour changing pendant.



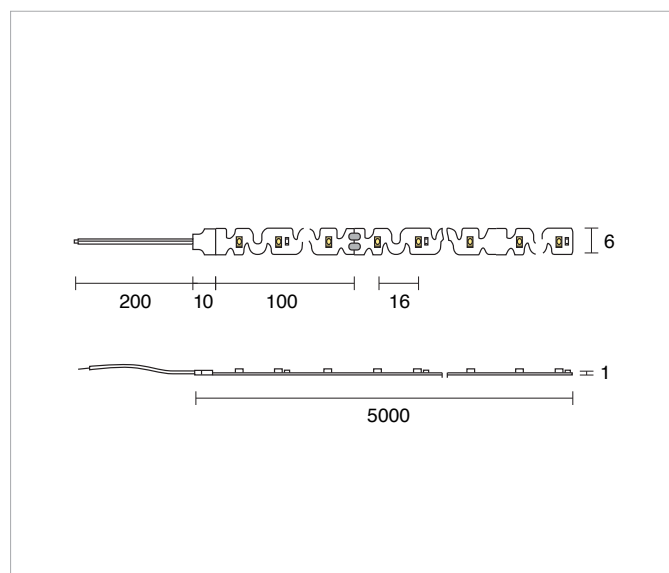
<b>WIDTH (MM)</b>	10
<b>MINIMUM CUTTABLE LENGTH (MM)</b>	50
<b>WATTAGE (WATT/M)</b>	10 / 14.5
<b>VOLTAGE (V)</b>	24V DC
<b>CCT (°K)</b>	Red / Green / Blue / Cyan / Amber
<b>CRI</b>	N/A
<b>NO. OF LED (PER M)</b>	120
<b>LED TYPE</b>	SMD2835
<b>SDCM</b>	3
<b>IP RATING</b>	IP20 / IP67

# MAESTRO

Very curvelicious



The Daily Edited Pattern Studio.  
Perimeter uplight



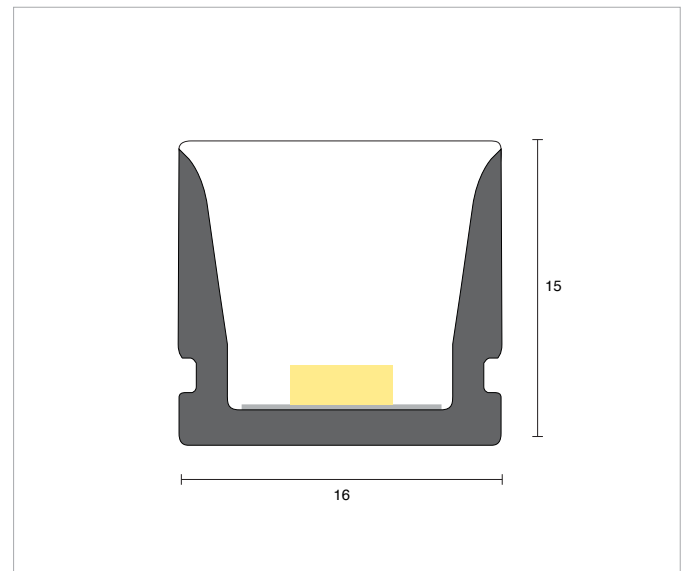
<b>WIDTH (MM)</b>	6
<b>MINIMUM CUTTABLE LENGTH (MM)</b>	100
<b>WATTAGE (WATT/M)</b>	10
<b>VOLTAGE (V)</b>	24V DC
<b>CCT (°K)</b>	1800K / 2400K / 2700K / 3000K / 4000K / 6500K
<b>CRI</b>	90
<b>NO. OF LED (PER M)</b>	60
<b>EFFICACY (LM/W)</b>	80
<b>LED TYPE</b>	SMD2835
<b>SDCM</b>	3

# BENDABLE MEDLEY

Twist and shout



Sarah Sands Studio Y.  
Recessed shelving application.



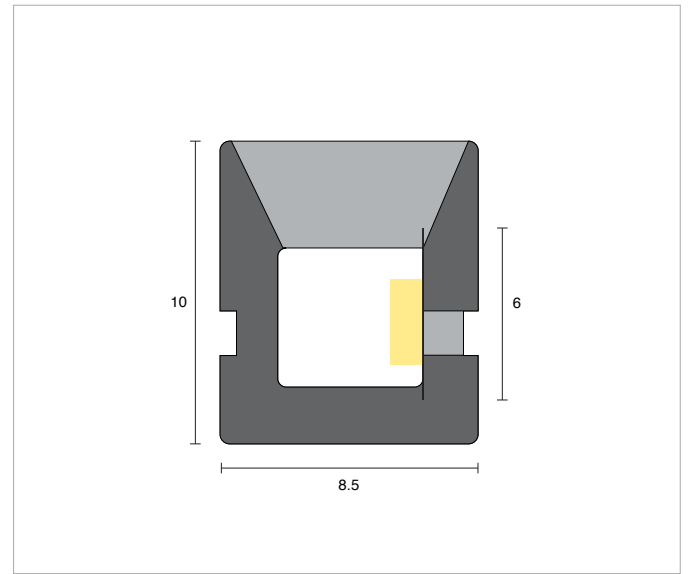
<b>BEND DIRECTION</b>	Dual Bend
<b>MAX LENGTH (MM)</b>	10m with power at single end / 20m with power at both ends
<b>MINIMUM CUTTABLE LENGTH (MM)</b>	Cutable anywhere
<b>WATTAGE (WATT/M)</b>	9
<b>VOLTAGE (V)</b>	24V DC
<b>CCT (°K)</b>	2700K / 3000K / 3500K / 4000K / 5000K 6500K / Red / Green / Blue
<b>CRI</b>	90
<b>NO. OF LED (PER M)</b>	120
<b>EFFICACY (LM/W)</b>	40
<b>LED TYPE</b>	SMD2835
<b>SDCM</b>	3
<b>IP RATING</b>	IP20 / IP44 / IP67
<b>TAIL TYPES</b>	End Feed / Side Feed / Bottom Feed

# BENDABLE PICCOLO

Sounds pretty special



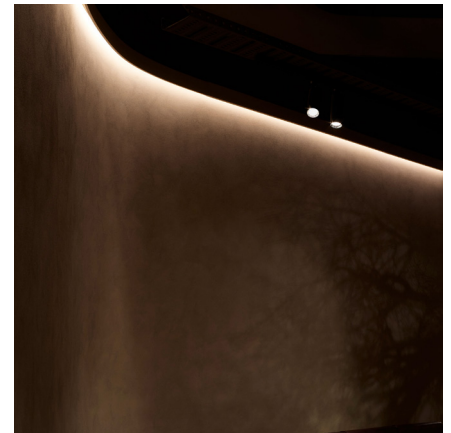
Pivot House Architects EAT  
Mirror application.



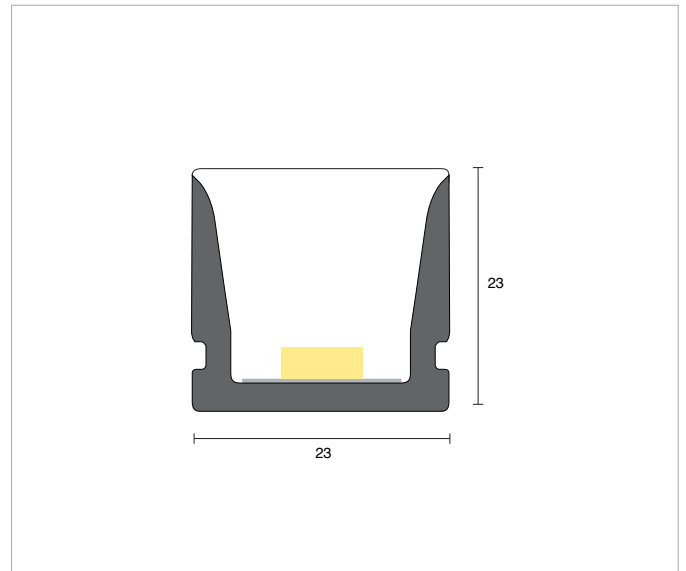
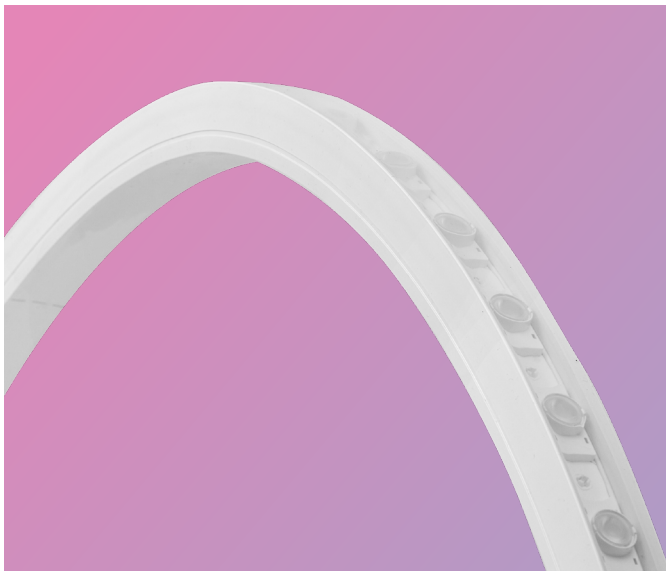
<b>BEND DIRECTION</b>	Side Bend
<b>MAX LENGTH (MM)</b>	10m with power at single end / 20m with power at both ends
<b>MINIMUM CUTTABLE LENGTH (MM)</b>	50
<b>WATTAGE (WATT/M)</b>	9
<b>VOLTAGE (V)</b>	24V DC
<b>CCT (°K)</b>	2700K / 3000K / 3500K / 4000K / 5000K 6500K / Red / Green / Blue
<b>CRI</b>	90
<b>NO. OF LED (PER M)</b>	120
<b>EFFICACY (LM/W)</b>	40
<b>LED TYPE</b>	SMD2835
<b>SDCM</b>	3
<b>IP RATING</b>	IP20 / IP44 / IP65
<b>TAIL TYPES</b>	End Feed

# BENDABLE SERENADE

Good Vibrations



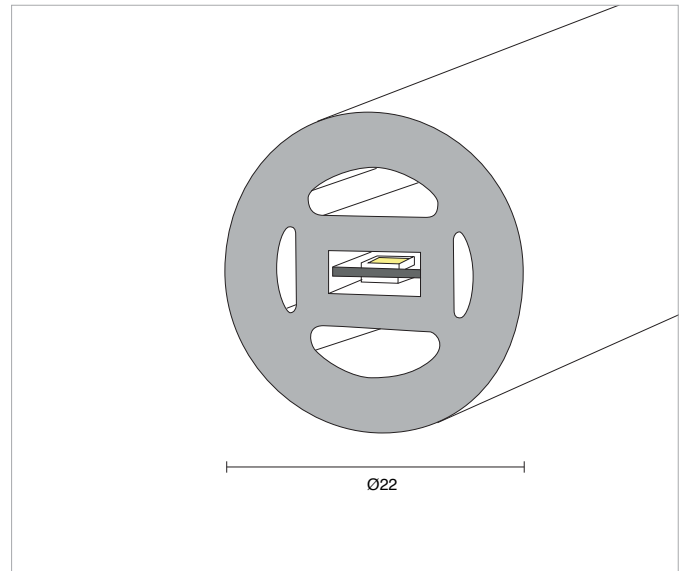
Wall Wash application



<b>BEND DIRECTION</b>	Dual Bend
<b>MAX LENGTH (MM)</b>	10m with power at single end / 20m with power at both ends
<b>MINIMUM CUTTABLE LENGTH (MM)</b>	250
<b>WATTAGE (WATT/M)</b>	18
<b>VOLTAGE (V)</b>	24V DC
<b>CCT (°K)</b>	2400K / 2700K / 3000K / 3500K / 4000K / 5000K / 6500K
<b>CRI</b>	90
<b>NO. OF LED (PER M)</b>	24
<b>EFFICACY (LM/W)</b>	90
<b>LED TYPE</b>	SMD3030
<b>SDCM</b>	3
<b>IP RATING</b>	IP20 / IP44 / IP67
<b>TAIL TYPES</b>	End Feed / Side Feed / Bottom Feed
<b>IP RATING</b>	IP20 / IP44 / IP67
<b>FINISH</b>	White, Black
<b>BEAM ANGLE</b>	30° / 45° / 60°

# VIRTUOSO

Bend it, move it, make it, create it... rock on!



<b>BEND DIRECTION</b>	Dual Bend 360°
<b>MAX LENGTH (MM)</b>	5m with power at single end
<b>MINIMUM CUTTABLE LENGTH (MM)</b>	20 / 35.71
<b>WATTAGE (WATT/M)</b>	9
<b>VOLTAGE (V)</b>	24V DC
<b>CCT (°K)</b>	1800K / 2400K / 2700K / 3000K / 3500K / 4000K / 5000K 6500K / Red / Green / Blue
<b>CRI</b>	90
<b>NO. OF LED (PER M)</b>	120+
<b>LED TYPE</b>	SMD2216 / SMD2835
<b>SDCM</b>	3
<b>IP RATING</b>	IP44 / IP65
<b>TAIL TYPES</b>	End Feed

## **BOOST APPLICATIONS**

Showcase, Shelf, Cabinet, Billboard,  
Signage, Hotel, Garden, Bridge,  
Corridor, Ceiling, Stair, Floor, Cove.

## Tiny Answers To Big Ideas.

**BOOST** gets its name because that's what it does – gives your space a lift. Is the **MINI** the tiniest high CRI LED strip in the galaxy? It just might be. Perhaps in a far flung galaxy they're working on smaller versions, perhaps in a parallel universe they already have it, but for now there is **BOOST MINI**.

So, whether it's to put in profile for your hospitality, residential or retail project or you have a tricky space that needs enhancement – yet you want to conceal the light source – you know the **BOOST** range will do what it says on the packet.