



# SODA HIGHBAY key features

## FINISHES

- Textured White
- Textured Black
- Custom

## SHADE TYPES

- Prismatic
- Aluminium
- Black

## TECHNICAL DESIGN

- 2700K / 3000K / 4000K
- CRI90>
- Up to 4700LM
- Non-Dim / Phase-Cut Dim / DALI Dim
- 20W-52W
- Integral LED Driver
- Narrow / Medium / Wide / Flood Beam Angle Distributions

## DESIGN

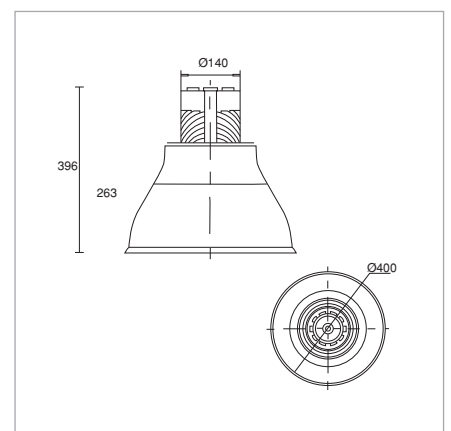
- Opal Polycarbonate Diffuser or Specular Metal Reflector options
- Cutting-Edge Heat Sink Design
- Sleek & Modern Look
- High Output Functional Lighting
- Caters To Multiple Applications



**SODA HIGHBAY**  
FLEX SUSPENDED PENDANT  
Prismatic



**SODA HIGHBAY**  
FLEX SUSPENDED PENDANT  
Aluminium





## Add Some Fizz.

Here's something we can drink to - finally there's an aesthetic alternative to traditionally ugly highways. **SODA HIGHBAY** has an innovative heat sink design to give it a refined and modern look. So, whether you're after the 'warehouse' look or fitting out a niche office twist the top on this and enjoy. It goes down (or up) a treat.

**SODA HIGHBAY**  
FLEX SUSPENDED PENDANT  
Black

**ambience**  
MAKING LIGHT WORK

+61 3 9486 3699  
sales@ambienclighting.com.au  
[ambienclighting.com.au](http://ambienclighting.com.au)