



KIT key features

FINISHES

- White
- Black
- Custom
- Raw

TECHNICAL DESIGN

Tridonic SLE G7 COB
2200K / 2400K / 2700K /
3000K / 4000K
CRI90>
Colour Consistency
Spot, Narrow, Medium, Wide,
Flood Beam Distribution
Various Outputs
IC Rated*
*Not applicable to Kit Mini XS
Phase / DALI / 1-10V Dimming
Greenstar Compatible
IP44 options
Maximum 20W

DESIGN

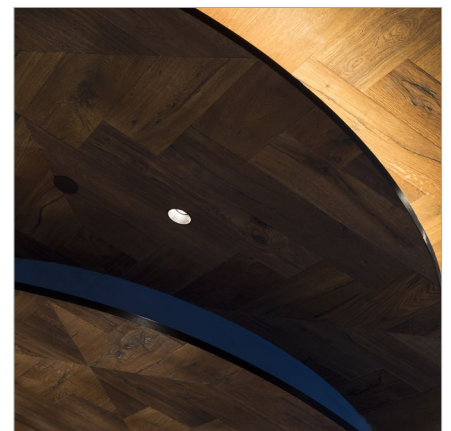
Textured Powdercoat
Fully Adjustable
Various Mounting Options
Customisation Available
5-Year Warranty
Reflector & Lens based
designs



Adjustable



High Output



Petite Design



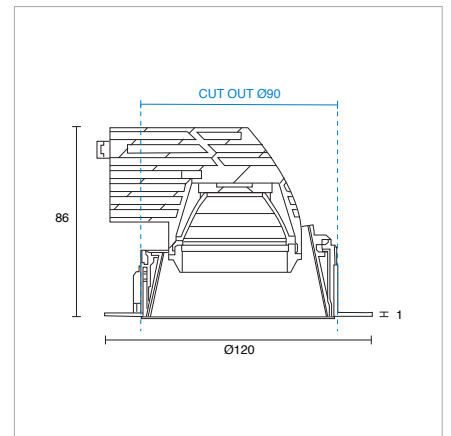
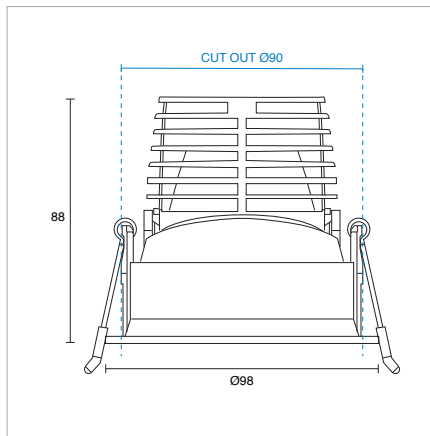
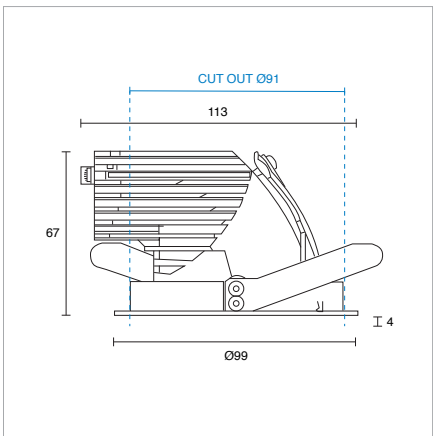
KIT DOWNLIGHT



KIT MINI DOWNLIGHT



**KIT MINI TRIMLESS
DOWNLIGHT**

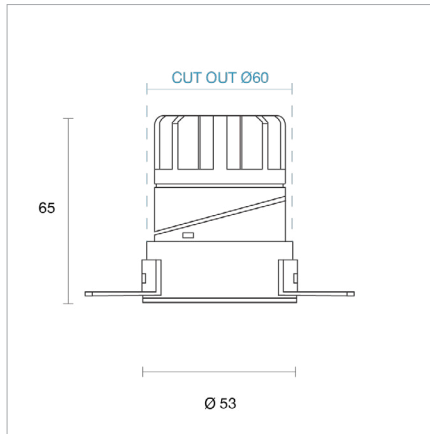
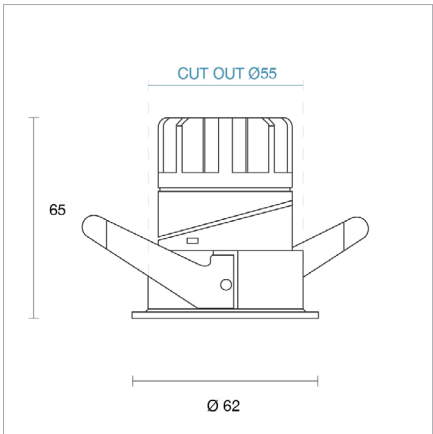


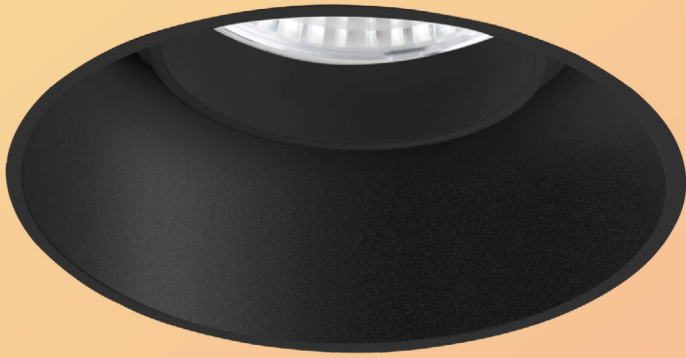


KIT MINI XS DOWNLIGHT



**KIT MINI XS TRIMLESS
DOWNLIGHT**





Your Go-To Luminaire.

The most popular downlight in the world? Not sure, but it is in ours. Petite, bright, adjustable and with a detailed touch that'll bring a sophisticated and stylish (plus smooth as) edge to your space. With a reputation forged in being the go-to luminaire when you need it used here, there or everywhere, it's no wonder this is a real crowd-pleaser. Please, form an orderly queue.

KIT MINI TRIMLESS

Black

ambience

MAKING LIGHT WORK

+61 3 9486 3699
sales@ambienclighting.com.au
ambienclighting.com.au