



# FLOW key features

## FINISHES

- Textured White
- Textured Black
- Custom

## TECHNICAL DESIGN

Tridonic SLE G7 COB  
2700K / 3000K / 4000K  
CRI90>  
Colour Consistency  
Spot, Narrow, Medium Beam  
Distribution Angles  
High LOR  
High Efficacy  
Phase / Switch / DALI / 1-10V  
Greenstar Compatible  
Maximum 22W

## DESIGN

Architectural Design  
Pin Spot Effect  
Semi-Recessed  
Deep Baffle  
Low Glare  
Rotate & Tilt  
Textured Powdercoat  
Customisation Available



FLOW TRIM DOWNLIGHT



Snorkel-like



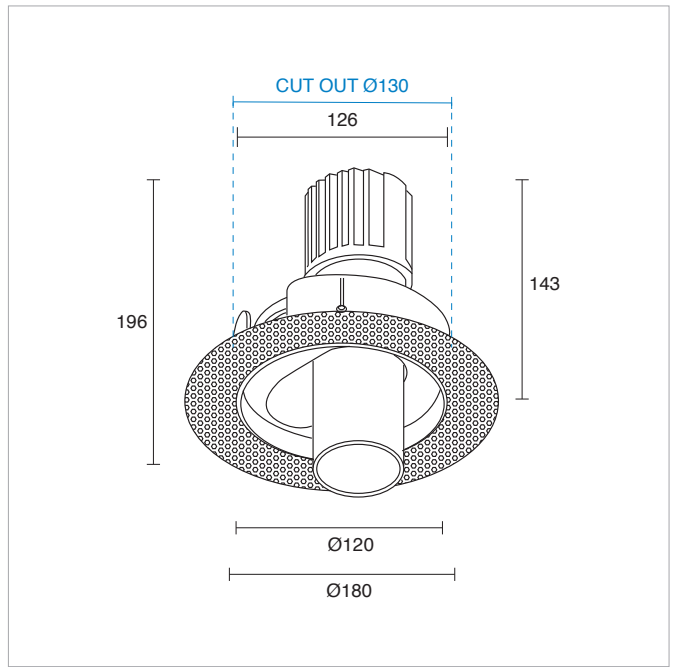
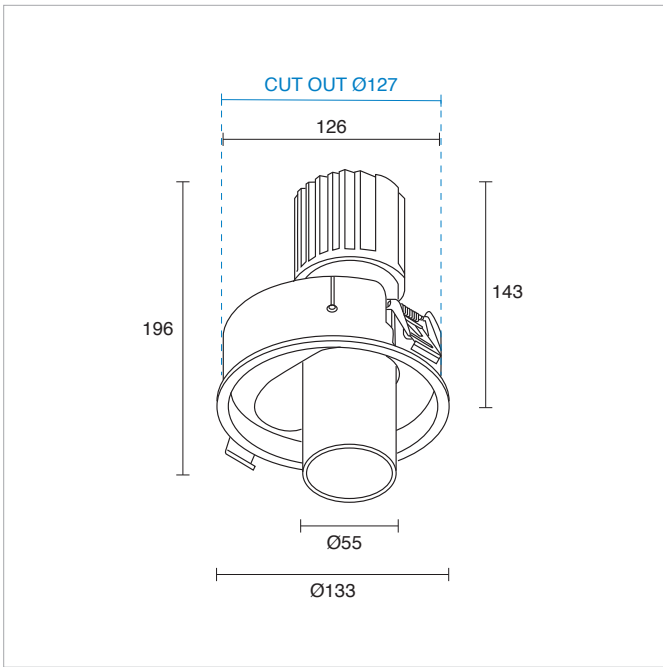
Kookai, Fortitude Valley

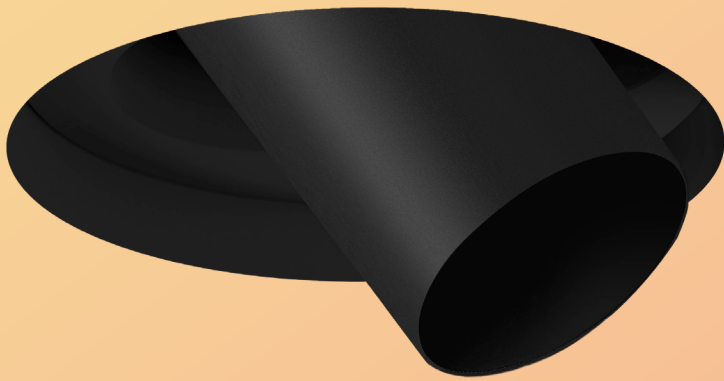


**FLOW TRIM DOWNLIGHT**  
Textured White



**FLOW TRIMLESS DOWNLIGHT**  
Textured White





## Go With It.

The **FLOW** is adjustable downlight that enables you to do just that – adjust. You can move your light source depending on how you feel or what look you want to achieve. A fitting that visually plays in the area between a spotlight and a downlight.

Available in trimless and trim version, with the **FLOW** sometimes you've gotta just go with it.

**FLOW** TRIMLESS DOWNLIGHT  
Textured Black

**ambience**  
MAKING LIGHT WORK

+61 3 9486 3699  
sales@ambienclighting.com.au  
[ambienclighting.com.au](http://ambienclighting.com.au)