



EENY MEENY MINY MO key features

FINISHES

- Textured White
- Textured Black
- Custom

TECHNICAL DESIGN

Tridonic SLE G7 COB
2700K / 3000K / 4000K
CRI90>
Colour Consistency
Narrow, Medium Beam
Distribution Angles
High LOR
High Efficacy
Phase / Switch / Dali / 1-10V
Greenstar Compatible
Maximum 10W

DESIGN

Classic Architectural Design
Pin Spot Effect
Fully Recessed
Deep Baffle
Adjustable Available
Textured Powdercoat
Customisation Available



EENY DOWNLIGHT



Pivot House, Eglemont



EENY FIXED DOWNLIGHT
Textured White



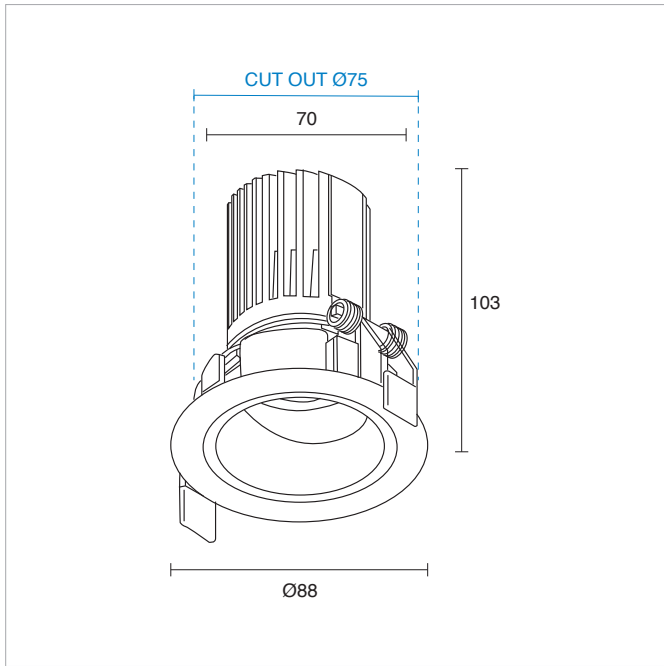
MEENY ADJUSTABLE DOWNLIGHT
Textured Black



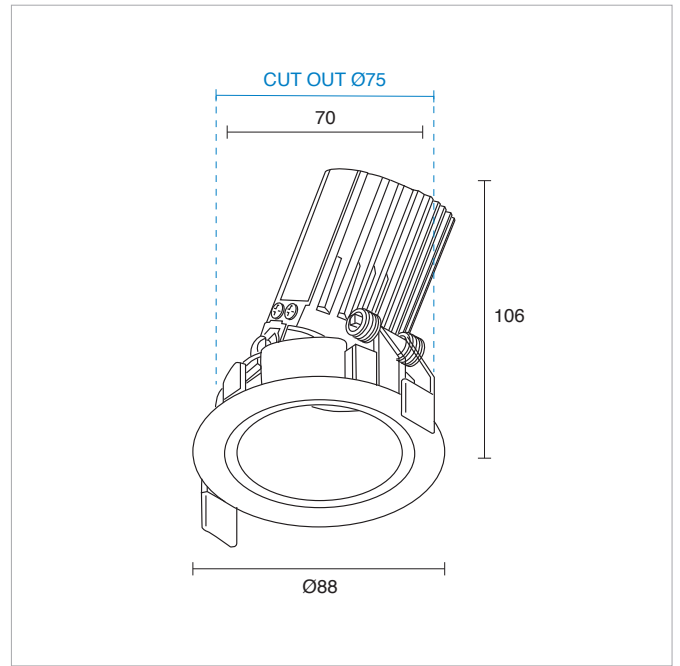
MINY ADJUSTABLE DOWNLIGHT
Textured Black



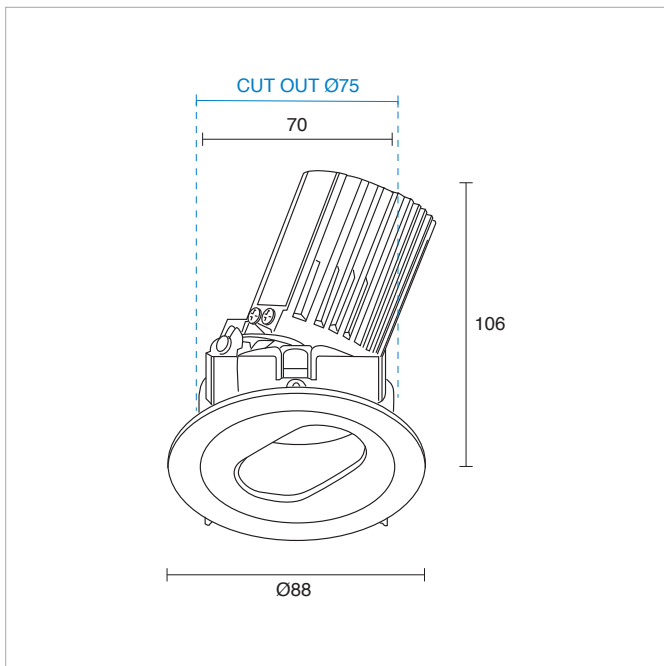
MO FIXED DOWNLIGHT
Textured White



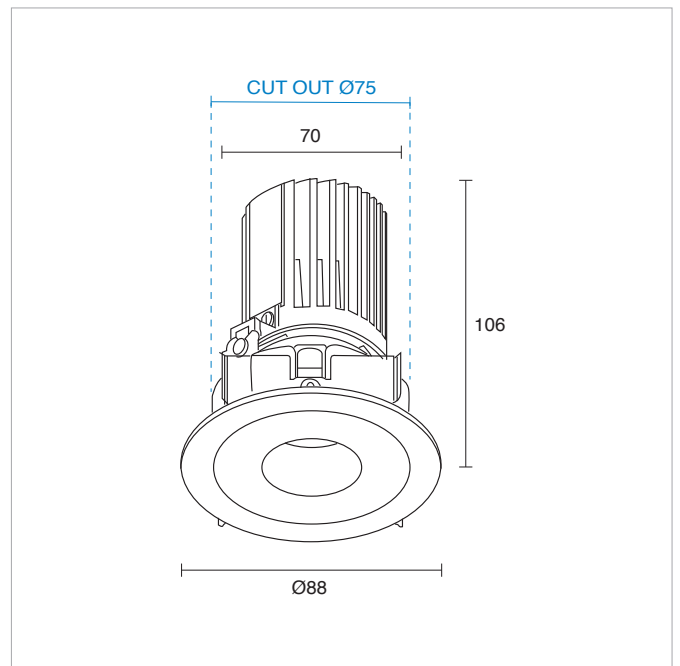
EENY DOWNLIGHT



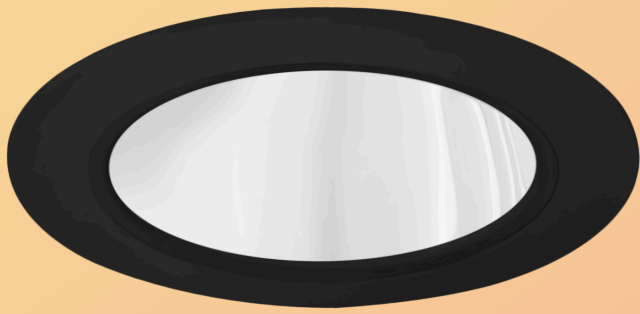
MEENY DOWNLIGHT



MINY DOWNLIGHT



MO DOWNLIGHT



Luminaires You Can Count On.

Take your pick, these fixtures all have the uniform features of a narrow beam and low glare.

The **MEENY**, **MINY** and **MO** are diminutive and petite downlights that are also adjustable helping you to play a little with the look you're after. While **EENY** is not to be outcuted and itself is a delicate little number. Which will you choose?

EENY FIXED DOWNLIGHT
Textured Black

ambience
MAKING LIGHT WORK

+61 3 9486 3699
sales@ambienclighting.com.au
ambienclighting.com.au