



COGNITO key features

FINISHES

- White
- Black
- Custom

TECHNICAL DESIGN

Tridonic SLE G7 COB
2700K / 3000K / 4000K
CRI90>
Colour Consistency
Narrow, Medium, Wide Beam
Distribution Angles
High LOR
High Efficacy
Phase / DALI / 1-10V Dimmable
Greenstar Compatible
Maximum 28W

DESIGN

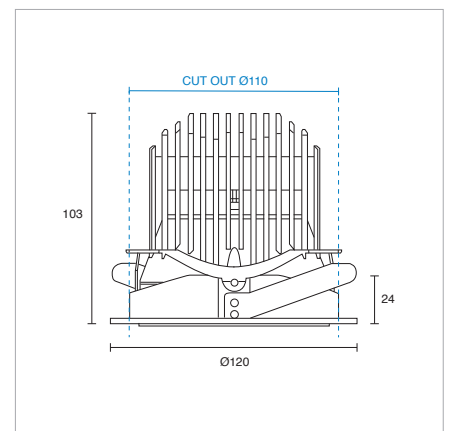
Architectural Design
Tiltable
Compact
Recessed
Customisation Available
5-Year Warranty



Highly Efficient



Australia's first 5-Star
GreenStar Retail



COGNITO DOWNLIGHT



Make a Splash.

Let us just say this upfront – the days of big, bulky downlights for commercial applications are officially over. Finito.

The **COGNITO** downlight is making waves with its innovative components and petite heatsink all in an unobtrusive housing, while it screams from the ceiling with its output. This efficient design allows for a higher intensity but in a smaller form whilst maintaining tilt functionality. So, if you've got a commercial space you need illuminating, then fly under the radar with the **COGNITO**. It's the little light making its mark on the world. And it's causing quite the splash.