



BRAVADO key features

FINISHES

- Textured White
- Textured Black
- Custom

TECHNICAL DESIGN

Tridonic SLE G7 COB
2700K / 3000K / 4000K
CRI90>
Colour Consistency
Narrow, Medium, Wide Beam
Distribution Angles
High LOR
High Efficacy
Phase / Switch / DALI / 1-10V
Greenstar Compatible
Round: Maximum 42W
Square: Maximum 28W
Twin: Maximum 2x28W

DESIGN

Architectural Design
Various Effects
Fully Recessed
Low Glare
Rotate & Tilt
Textured Powdercoat
Customisation Available



BRAVADO TWIN



Mecca Maxima



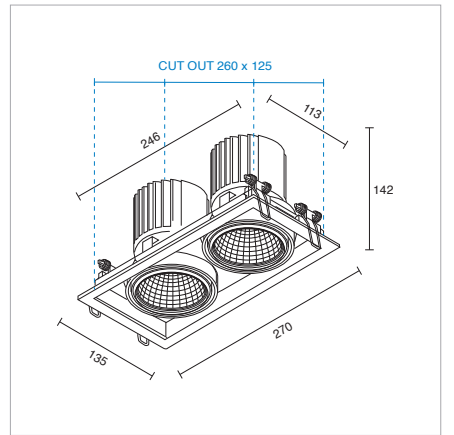
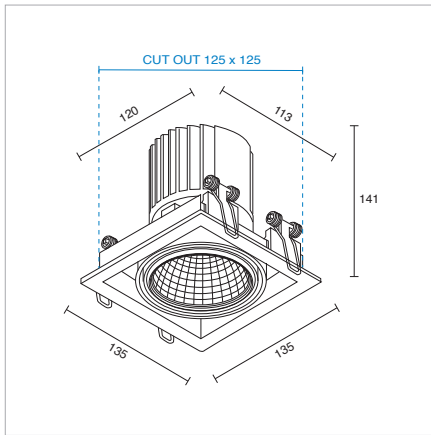
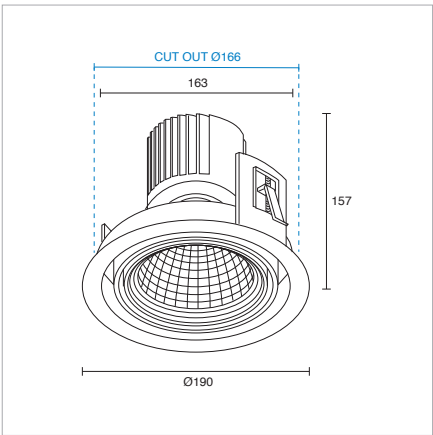
BRAVADO ROUND
Textured White



BRAVADO SQUARE
Textured White



BRAVADO TWIN
Textured White





Make Some Noise.

Hear that? It's the sound of the **BRAVADO** laughing in the face of modern conventions. Undaunted by poorly constructed imitations, the design intent behind the **BRAVADO** series is about going against that grain. It's an example of using engineering to create a bold and solid lighting that's not only built to do a job, but built to last.

BRAVADO TWIN
Textured Black

ambience
MAKING LIGHT WORK

+61 3 9486 3699
sales@ambienclighting.com.au
ambienclighting.com.au